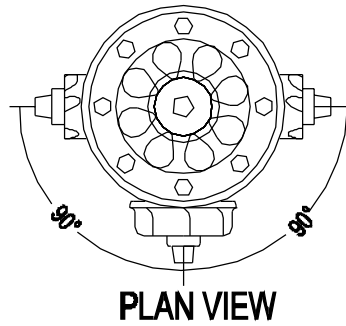
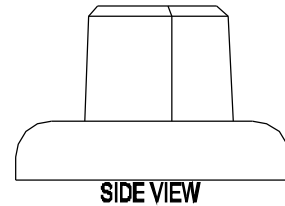
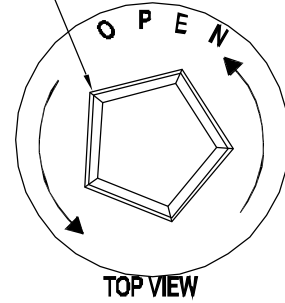


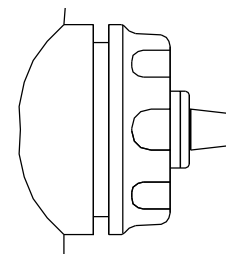
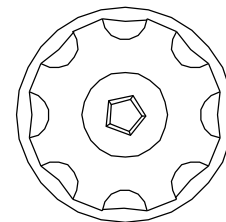
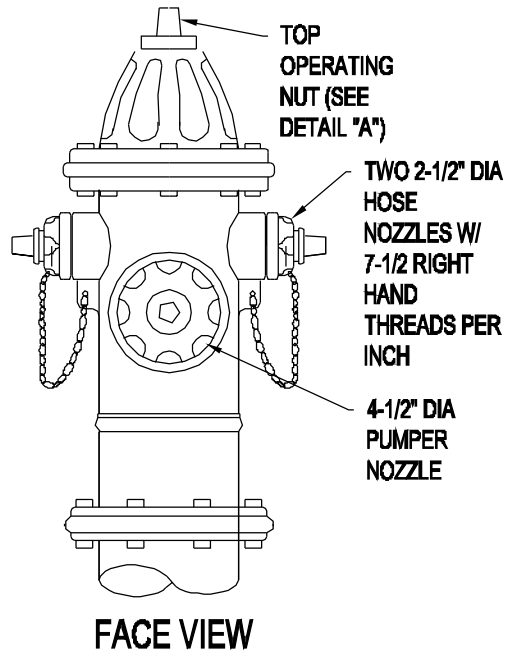
NO SCALE



1-1/2"  
PENTAGON  
NUT



DETAIL "A" - OPERATING NUT



DETAIL "B" NOZZLE

WIGWAM MUTUAL WATER COMPANY